

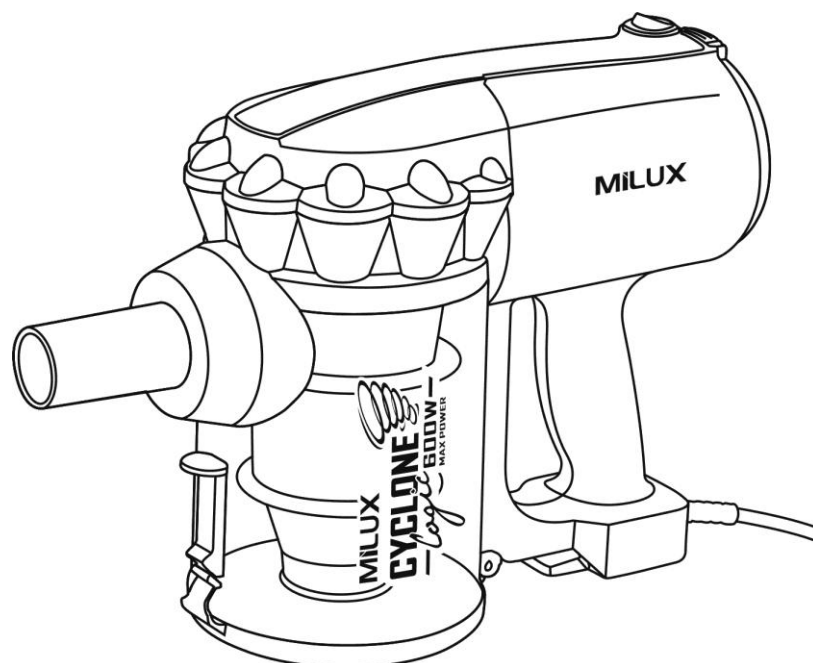
# MILUX<sup>®</sup>

QUALITY • SAFETY • RELIABILITY

## Instruction Manual

CYCLONIC HANDHELD  
VACUUM CLEANER

MVC-821



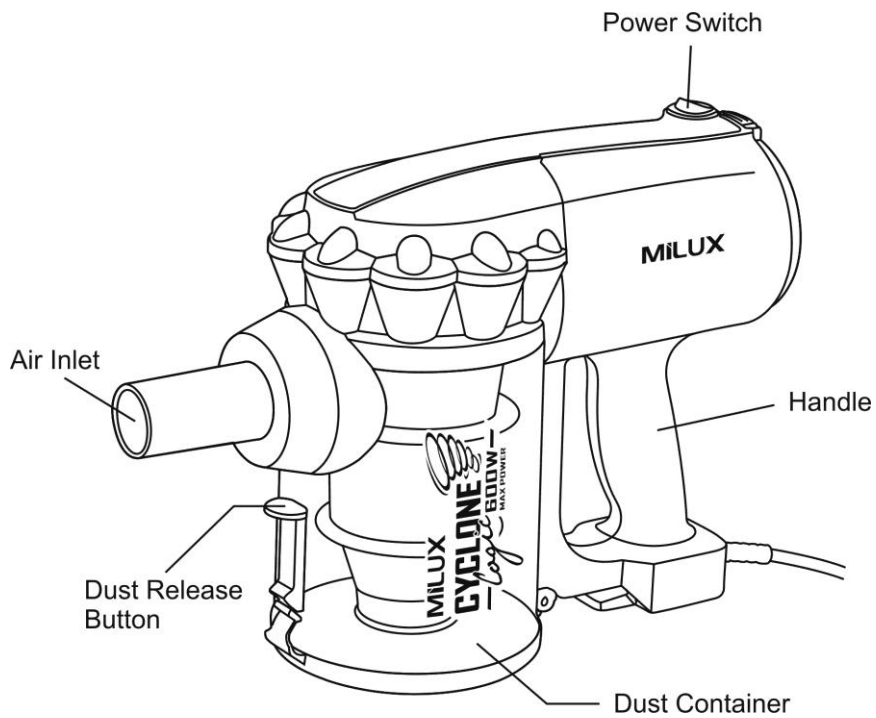
## GENERAL SAFETY PRECAUTIONS

- Read this instruction manual carefully before using the appliance for the first time. Keep this user manual for future reference.
- This appliance is not intended for use by persons (including children) with reduced physical, sensory or mental capabilities, or lack of experience and knowledge, unless they have been given supervision or instruction concerning the use of the appliance by a person responsible for their safety.
- Before using the appliance, check that the mains power voltage corresponds to the voltage shown on the rating plate.
- Always remove the plug from the power socket when the appliance is not in use and before carrying out any cleaning or maintenance operations.
- Never use the cord to pull the plug and cord set from the mains power outlet. Hold the plug firmly to insert or remove it from the mains power supply.
- Always remove the plug from the power socket before opening the appliance.
- Never use spirits or other solvents to clean the appliance. Use a damp cloth.
- Do not use the vacuum to suck any liquids, oil, petrol and flammable objects like cigarettes.
- Keep it away from high-temperature and any source of flame.
- Do not block the suction nozzle or the exhaust outlet, as this will cause the motor to overheat and damage the motor.
- Ensure the hose is not stepped on or forced around bends as this will crack and damage the hose.
- Never leave the appliance unattended when it is switched on. Keep the appliance out of the reach of children or the infirm.
- Do not switch the appliance on if it appears to be faulty in any way.
- For repairs or accessories. Contact your dealer or an authorized Service Center.
- If the supply cord is damaged, it must be replaced by the manufacturer or its service agent or a similarly qualified person in order to avoid a hazard.

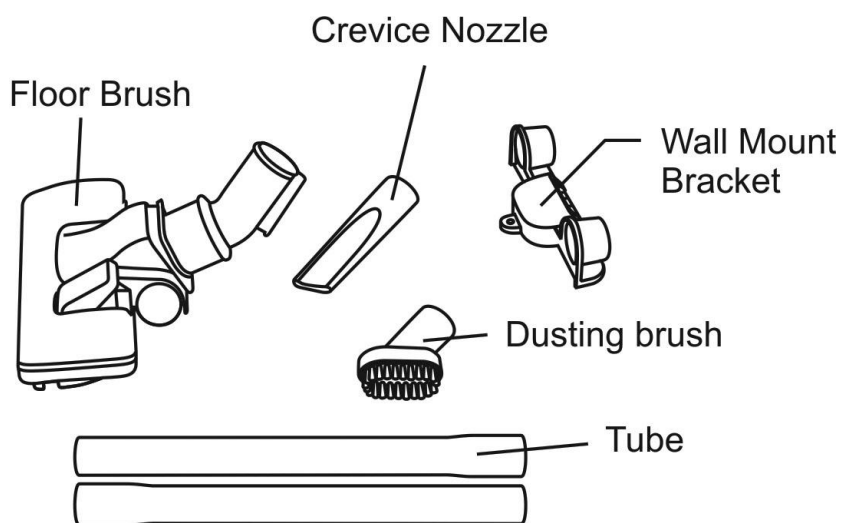
## Specifications

Model	MVC-821
Rated Voltage	220-240V~
Rated Wattage	400W
Frequency	50/60Hz

## Parts Identification



## Accessories:



## How to Assemble

1. Select a well ventilated place to fit the wall mount bracket.
2. Connect the tube into air inlet and fitting the accessories to the end of the tube.

## How to Use

1. Once all attachments are in place, insert the power plug into electrical outlet.
2. Press the power switch located on the top of vacuum to switch the appliance on.
3. Adjust the angle between brush and body by rotating the handle.
4. After using, unplug from power socket and roll up the cord and storage the appliance into the mount bracket.

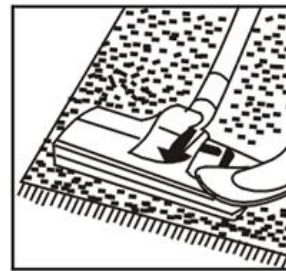
## Using the cleaning accessories

- **Dual-position carpet/floor brush.**

Pos. 1: bristles extended. for hard floors



Pos. 2: bristles retracted for carpets



- **Crevice Nozzle**

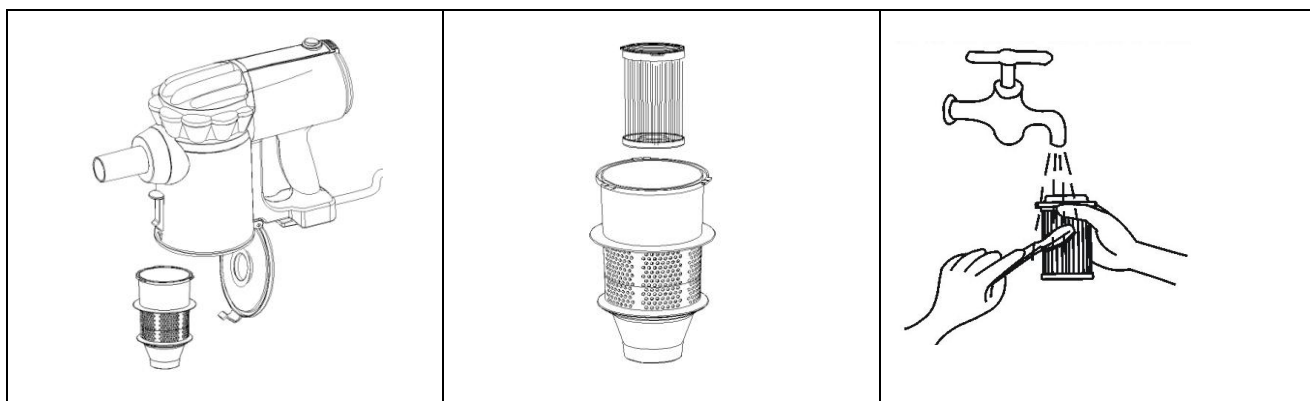
Useful for cleaning radiators, crevices, corners, baseboards and between cushions.

- **Dusting Brush**

Useful for cleaning furniture and upholstery.

## Care and Cleaning

1. Hold the appliance and push down the dust release button. The bottom cover of the dust container will open to release the dirt inside.
2. Rotate and take out the Hepa-filter.
3. Wipe the internal of the dust compartment with a damp cloth.
4. Clean the Hepa-filter with a soft bristled brush and rinse with water. Hard brushing will damaged the Hepa-filter, do exercise care.
5. Dry thoroughly before next use.



**MILUX**<sup>®</sup>  
QUALITY • SAFETY • RELIABILITY

**MILUX SALES & SERVICE SDN. BHD.**

(302263-X)

No. 31, Lorong Jala 14/KS10,  
Off Jalan Telok Gong,  
42000 Port Klang, Selangor, Malaysia.

Tel: 03-3134 1254 Fax: 03-3134 1193

Toll Free: 1800-88-MILUX (64589)

E-mail: [customercare@milux.com.my](mailto:customercare@milux.com.my)

Website: [www.milux.com.my](http://www.milux.com.my)