

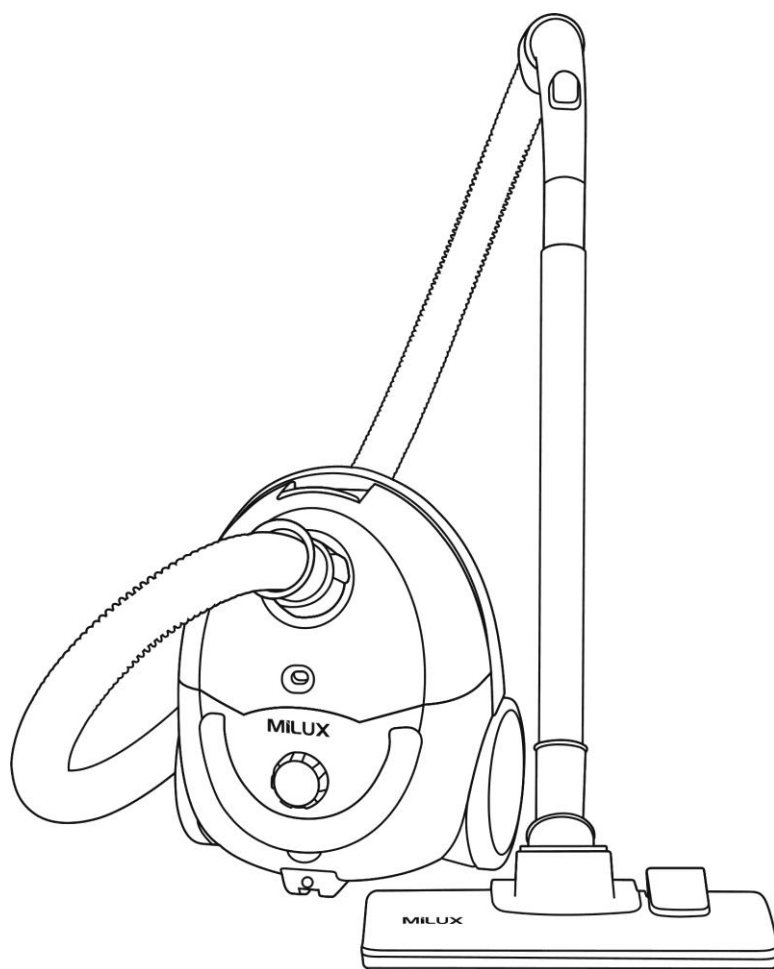
MILUX[®]

QUALITY • SAFETY • RELIABILITY

Instruction Manual

VACUUM CLEANER

MVC-8200



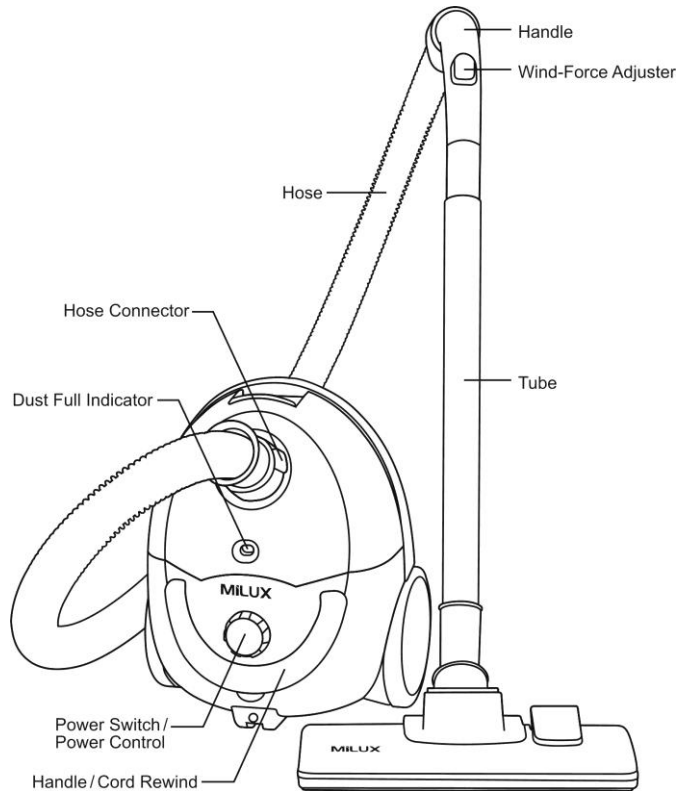
GENERAL SAFETY PRECAUTIONS

- Read this instruction manual carefully before using the appliance for the first time. Keep this user manual for future reference.
- This appliance is not intended for use by persons (including children) with reduced physical, sensory or mental capabilities, or lack of experience and knowledge, unless they have been given supervision or instruction concerning the use of the appliance by a person responsible for their safety.
- Before using the appliance, check that the mains power voltage corresponds to the voltage shown on the rating plate.
- Always remove the plug from the power socket when the appliance is not in use and before carrying out any cleaning or maintenance operations.
- Never use the cord to pull the plug and cord set from the mains power outlet. Hold the plug firmly to insert or remove it from the mains power supply.
- Always remove the plug from the power socket before opening the appliance.
- Never use spirits or other solvents to clean the appliance. Use a damp cloth.
- Do not use the vacuum to suck any liquids, oil, petrol and flammable objects like cigarettes.
- Keep it away from high-temperature and any source of flame.
- Do not block the suction nozzle or the exhaust outlet, as this will cause the motor to overheat and damage the motor.
- Ensure the hose is not stepped on or forced around bends as this will crack and damage the hose.
- Never leave the appliance unattended when it is switched on. Keep the appliance out of the reach of children or the infirm.
- Do not switch the appliance on if it appears to be faulty in any way.
- For repairs or accessories. Contact your dealer or an authorized Service Center.
- If the supply cord is damaged, it must be replaced by the manufacturer or its service agent or a similarly qualified person in order to avoid a hazard.

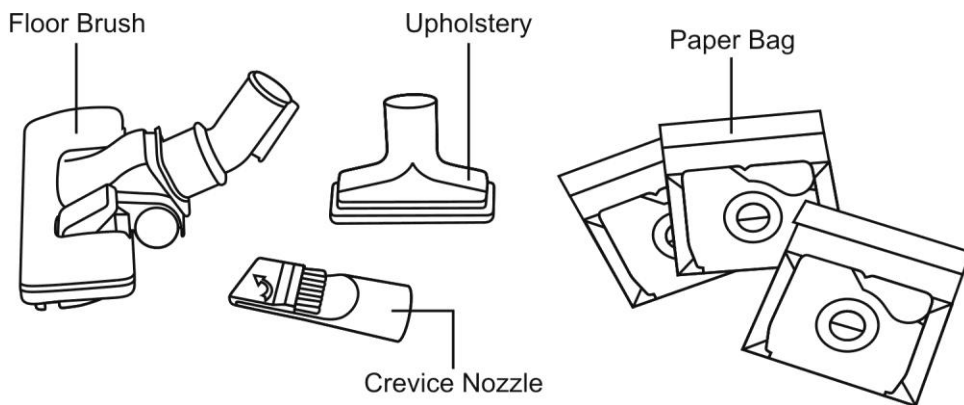
Specifications

Model	MVC-8200
Rated Voltage	220-240V~
Rated Wattage	1400W
Frequency	50/60Hz

Parts Identification



Accessories:

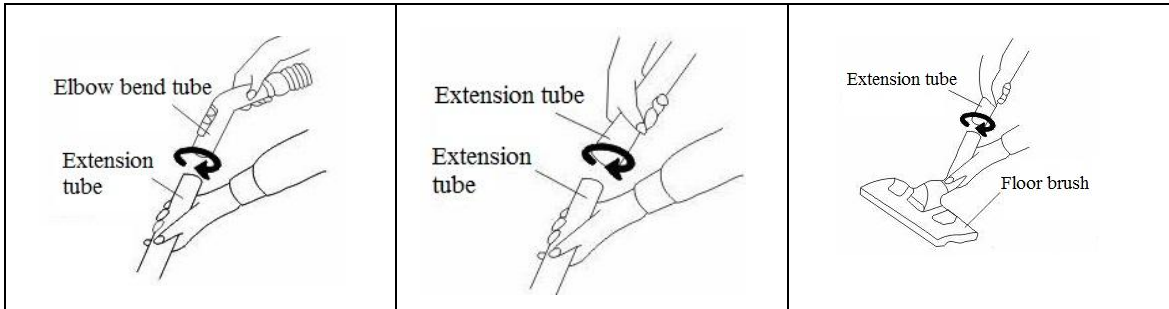


How to Assemble

1. Attaching the Flexible Hose to the Vacuum

- Connect the flexible hose into hose inlet. Push it in until it clicks securely in place.

2. Fitting the Extension Tube and Accessories



- Other accessory brushes may be inserted in same manner.

How to Use

1. Once all attachments are in place, unwind a sufficient length of cable and insert the power plug into a power outlet. Do not extend the cable beyond the RED mark.
2. To rewind the power cord, press the **handle/ cord rewind** with one hand and hold the plug of the power cord with the other hand to prevent any backlash that might cause damage or injury.
3. Press the **power switch/power control knob** located on the top of the vacuum to switch the appliance on and the absorption power can be adjusted by rotate the power switch/ power control knob.

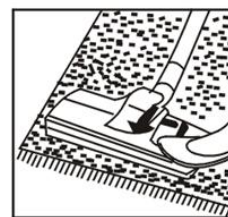


Using the cleaning accessories

- **Dual-position carpet/floor brush.**

Pos. 1: bristles extended for hard floors

Pos. 2: bristles retracted for carpets



- **Crevice Nozzle**
Useful for cleaning radiators, crevices, corners, baseboards and between cushions.
- **Upholstery**
Useful for cleaning furniture and upholstery.

Care and Cleaning

Replacing the Dust Bag

- The dust bag will need to be cleaned or replaced when the dust full indicator shows RED or when there is a drop in the suction power.

Warning: To reduce the risk of electric shock, the power cord must be disconnected before changing the dust bag or performing maintenance/troubleshooting checks.

- Press the button on the front of the vacuum cleaner to open the vacuum lid and lift out the dirt dust bag.

Note: Vacuuming new carpet or carpet with fine powders may clog the dust bag, so inspect the bag frequently. Never operate without dust bag in place.

- To clean the cloth bag, slide out the plastic holder at the end of the bag. Dust the bag gently against a bin or plastic bag. Wash the bag and dry. After drying, insert plastic holder back into bag opening and replaced to the vacuum.
- For paper dust-filter bag just throw it away and replaced with a new one.
- Close the storage compartment cover.

Warning: Before closing the main unit, ensure the dust bag is well positioned inside the compartment and does not get caught between the hinges when closing the cover.

Cleaning the Pre-motor Filter

- The pre-motor filter is located inside the storage compartment behind the dust bag.
- Lift up the vacuum cleaner lid and pull out the pre-motor filter.
- The pre-motor filter can be rinsed in warm water. Allow to air dry for 24 hours before replacing.

Cleaning the Post-motor Filter

- The post-motor filter is located on the back of the vacuum cleaner.
- Release the post-motor filter by pressing down the catches at the top of the cover.
- The pre-motor filter can be rinsed in warm water. Allow to air dry for 24 hours before replacing



MILUX SALES & SERVICE SDN. BHD.

(302263-X)

No. 31, Lorong Jala 14/KS10,
Off Jalan Telok Gong,
42000 Port Klang, Selangor, Malaysia.

Tel: 03-3134 1254 Fax: 03-3134 1193

Toll Free: 1800-88-MILUX (64589)

E-mail: customercare@milux.com.my

Website: www.milux.com.my