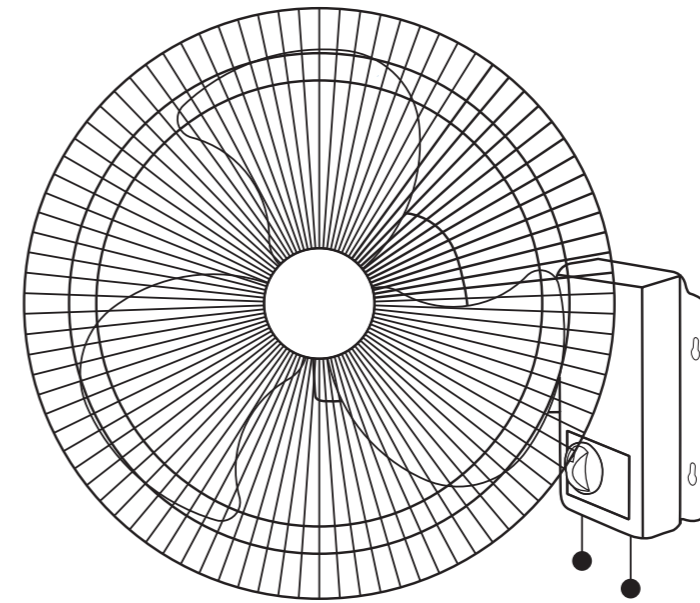


14.85 cm

# MILUX®

## 20" COMMERCIAL WALL FAN MODEL: MIWF-2820



21 cm

Distributed by:  
**MILUX SALES & SERVICE SDN. BHD.** (302263-X)  
No. 31, Lorong Jala 14/KS10, Off Jalan Telok Gong,  
42000 Port Klang, Selangor, Malaysia.

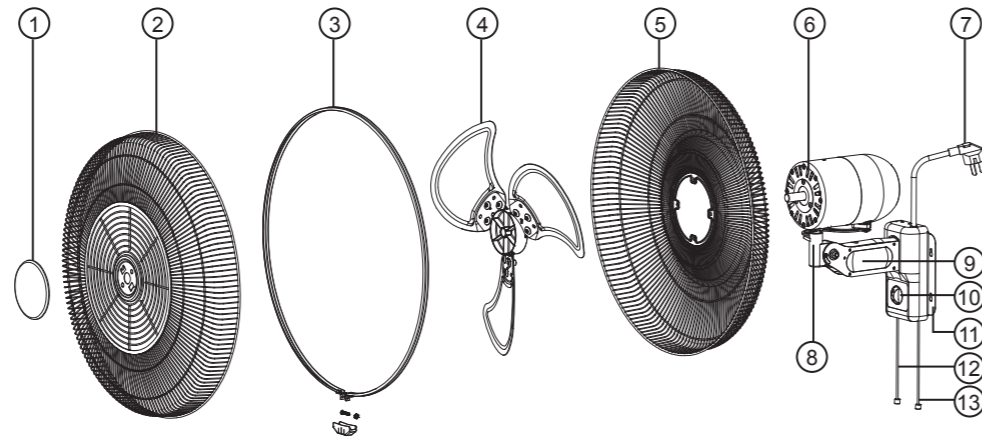
Tel: 03-3134 1254 Fax: 03-3134 1193 Toll Free: 1800-88-MILUX (64589)  
E-mail: [customercare@milux.com.my](mailto:customercare@milux.com.my)  
Website: [www.milux.com.my](http://www.milux.com.my)

### INSTRUCTION MANUAL

*Please read this manual carefully before operating this product.  
Keep this manual handy for further reference.*

14.85 cm

### Parts Identification



1. Front Guard Ornament
2. Front Guard
3. Guard Ring
4. Fan Blade
5. Rear Fan Guard
6. Motor Body
7. Power Cord
8. Neck Joint
9. Fan Motor Body Support
10. Speed Selector Knob
11. Wall Mount Bracket
12. Speed Pull String
13. Oscillation Pull String

### Specifications

Model	MIWF-2820	
Voltage	220~240V-50Hz	
Power	150W	
Fan Blade Size	20"	
Speed (RPM)	Maximum Speed	1400
	Minimum Speed	1010
Air Delivery	8500m <sup>3</sup> /h	
Effective Coverage Area	20m <sup>2</sup> to 30m <sup>2</sup>	

*\*Note: Specifications are subject to change without prior notice.*

21 cm

14.85 cm

### Cautions

- This appliances is not intended for use by persons (including children) with reduce physical, sensory or mental capabilities, or lack of experience and knowledge, unless they have been given supervision or instruction concerning use of the appliance by a person responsible for their safety.
- Do not use this appliance in high temperature and high humidity area.
- If the supply cord is damaged, it must be replaced by the manufacturer, its service agent or similarly qualified persons in order to avoid a hazard .
- Must use separate, well-earthed and 3 core cable & plug top.
- Keep children away from package and its parts. Danger of suffocation from cartons and plastic film.
- Always ensure that electrical mains is turned off and unplug before cleaning the appliance.
- When pulling out the plug, do not pull cord to avoid cord damage.
- Do not insert finger or other objects into the fan guard.
- Do not use the appliance outdoor or near windows. Rain drop may cause electrical hazards.
- Do not operate this appliance without a fan blade, broken or bent fan blade.

### Maintenance and Cleaning

- Handle fan blade with care during cleaning.
- Do not bend the blades when installing and maintaining.
- Use mild soap with damp cloth or sponge to clean the fan. Wipe until dry .
- The ventilation holes of rear motor cover must be free of dust and dirt. Please clean is frequently.

### Assembly Step

#### (a) Motor Assembly

- Before decide the installation location, please make sure the wall is strong enough to support fan weight.
- Drill 4 holes as Figure a.

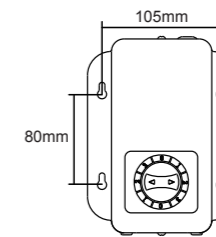
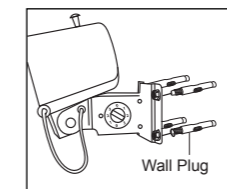


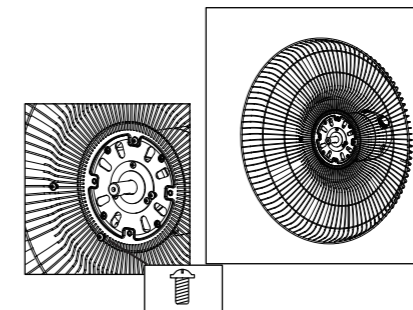
Figure a

- Fix the motor assembly to the wall by using the wall plug.



#### (b) Rear Guard

- Remove 4 screws at front of Motor Assembly.
- Put the Rear Guard on the Motor assemble.
- Screw and tighten the 4 screw.



21 cm

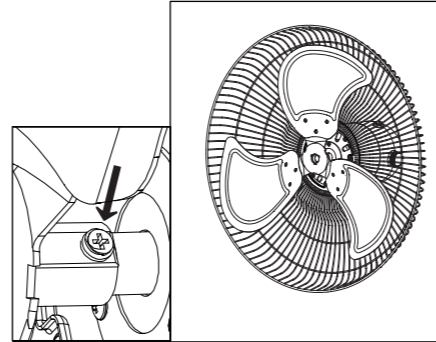
14.85 cm

### Assembly Step

#### (c) Fan Blade Assembly

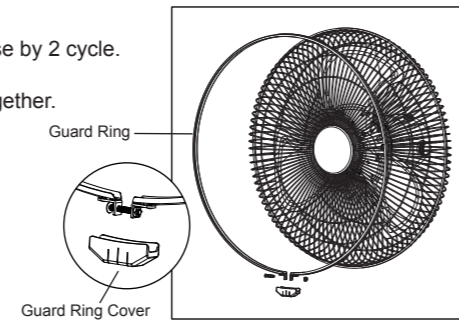
- Locate flat surface at motor shaft.
- Insert Fan Blade to motor shaft with screw face to flat surface .
- Tighten the fan blade screw.

Note: Please take note on the fan blade direction.



#### (d) Front Guard Assembly

- Insert screw into Guard Ring hole & turn clockwise by 2 cycle.
- Assembly the Guard Ring and Front Guard.
- Fit and match The Front Guard & Rear Guard together.
- Tighten up The Guard Ring screw.



### Operation

#### (a) Speed Control

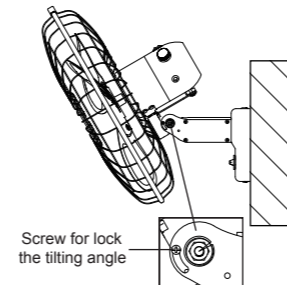
- "0" position is power off.
- Speed can be selected from "1 " which is minimum speed and up to speed "3" which is maximum speed.

#### (b) Oscillation

- The oscillation function is controlled by synchronous motor. Turn the oscillation switch which at the top of the motor to turn on.

#### (c) Vertical Angle

- Switch Off fan before adjust the vertical angle of the fan.
- Patent Design Neck Joint allowed to adjust angle by hand easily.
- Tighten the screw at Neck Joint to lock the angle.



21 cm